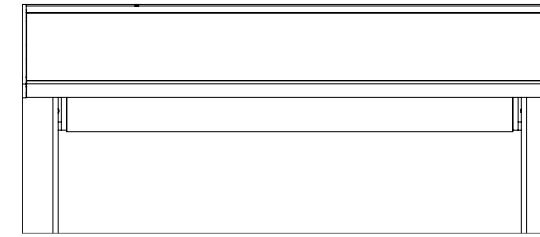


# Pergotenda® Accessories



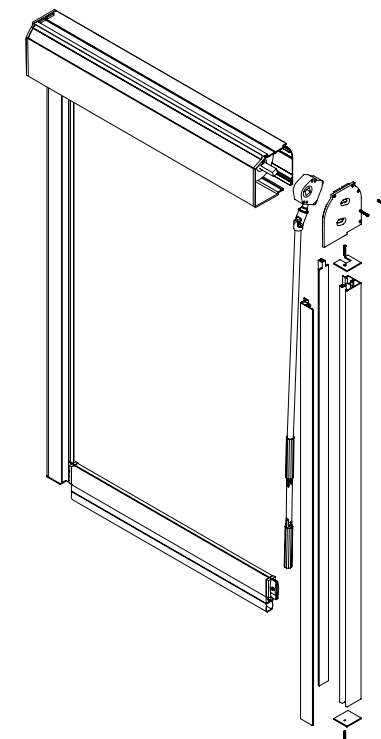
## Stratus Screen for Pergotenda®



Pergotenda® 45 with Stratus Solar Screens & ShyZip® Tracks  
The Dorchester Awning Company, Kingston MA

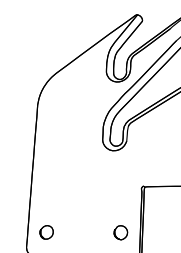


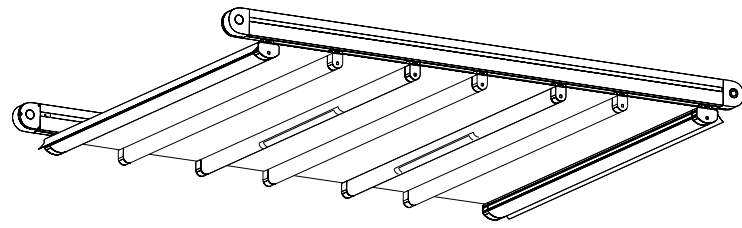
Pergotenda® Iridium with Stratus Clear Vinyl Window Screens & ShyZip® Tracks  
New Haven Awning, New Haven CT



The Stratus is an exterior screen specifically designed to integrate into most Pergotenda® systems for complete enclosure that assists in protection from the elements and gives the option of privacy. The design of the Stratus is based off of our long-standing proprietary Summit exterior screen.

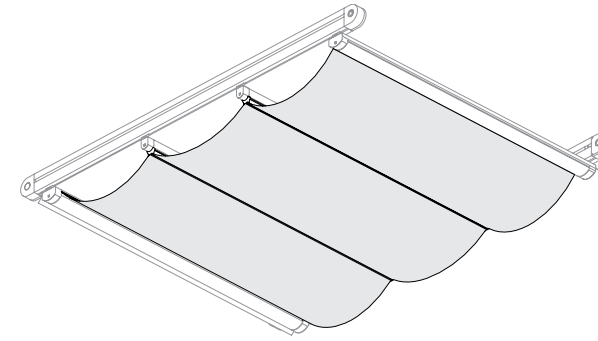
The Stratus is installed with specially designed jamb mount brackets that fit perfectly into any applicable Pergotenda® system. It is recommended to use ShyZip® track for complete enclosure on a Pergotenda® unit. The Stratus is available both motorized or manual (with some size restrictions).





# Lighting

for Pergotenda®



# Faux Ceiling

for Pergotenda®

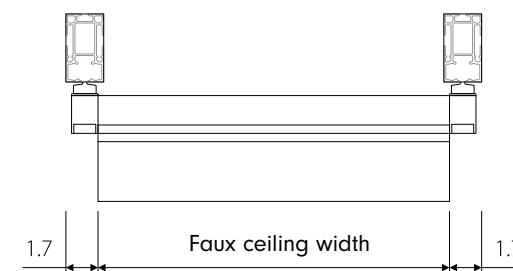


The Pergotenda® lighting system is a custom designed system that seamlessly integrates into the Pergotenda® intermediate tubes.

This superior lighting system adds atmosphere and even more control extending the usage hours of your outdoor space. The lighting system uses an IP 65 outdoor rated, monochromatic LED that is encased in beveled clear silicon cover and inserted into aluminum profile with frosted white polycarbonate diffuser.

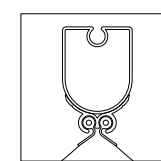
Pergotenda® lights are supplied pre-wired to clear sleeve low voltage cable pigtailed with fully sealed waterproof end connections, for easy daisy chaining to additional strips. The power to the strips is supplied by dedicated extension cables with waterproof plugs and sockets, designed to guarantee a quick and secure hook-up both to the strips and single power supply unit, available and furnished in different wattages depending on the number of lighting strips used, up to a maximum of 24 fixtures total per power supply. The strips come with preapplied 3M adhesive back tape for outdoor use.

**Key features:** IP 65 damp outdoor use, remote with 4 pre-set intensity levels and dimmer, 3400K warm white, 24V, plug-and-play ready, maximum practicality for easy retrofits, kit designed to perfectly integrate with every Pergotenda® system already installed.

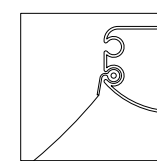


Faux ceilings are an adaptation of the intermediate tubes that make it possible to apply decorative canvas fabrics to the Pergotenda® Impact system.

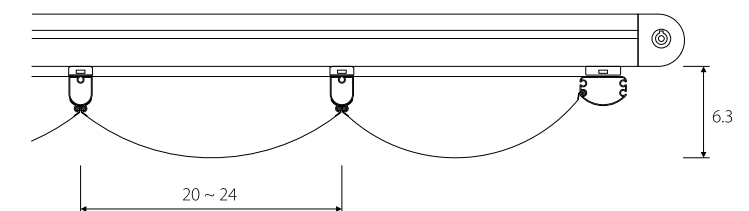
The Para Tempotest® Home Solids collection is the fabric used for Faux ceilings. It is a proprietary soft fashion fabric that is available in a variety of rich solid colors to help create ambiance to match any atmosphere you wish to create. See Para Tempotest® Home Solids fabric sample collection for reference.

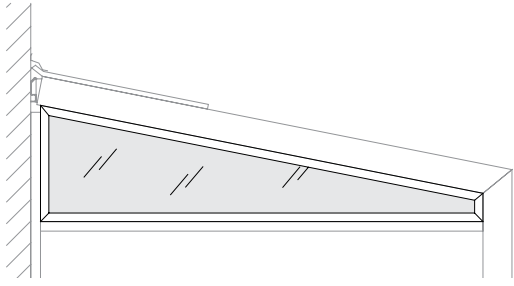


CANVAS FIXED TO INTERMEDIATE SUPPORT TUBES



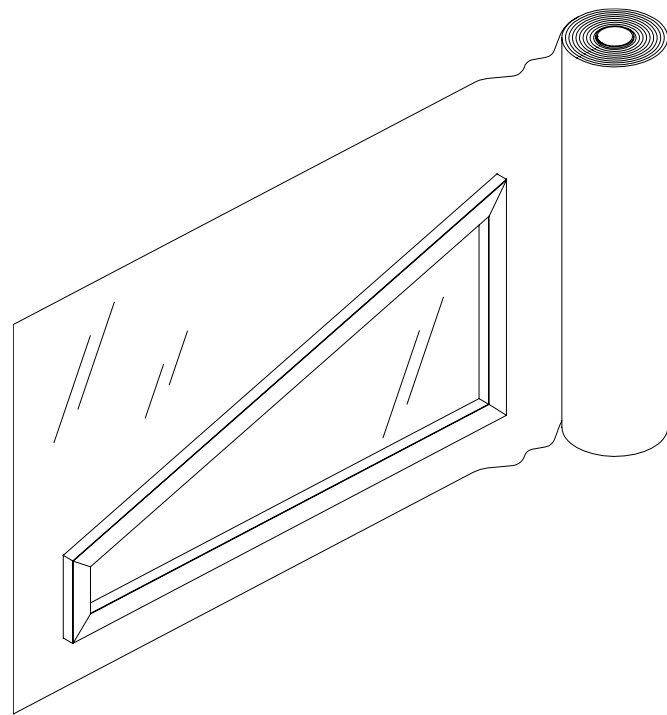
CANVAS FIXED TO END SUPPORT TUBES





# Gable

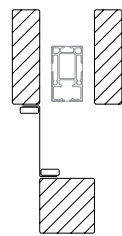
for Pergotenda®



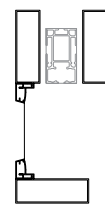
Gables are finishing profiles for setting up the lateral triangular openings for pitched Pergotenda®.

They are most often implemented when using the Stratus Screen or for custom enclosure and structural designs. Gables often have a taught fabric stretched over the trapezoidal opening created by the pitch that helps to complete the enclosure. Gable coverings are available in various fabrics, such as Clear Vinyl, Eclissi, or Serge Ferrari® Soltis® Proof 502.

PERGOTENDA® 45;  
PERGOTENDA® 60  
(wood profiles)



PERGOTENDA® IRIDIUM; MILLENIUM®  
(aluminium profiles)



PERGOTENDA® IRIDIUM  
(aluminium profiles)



PERGOTENDA® B SPACE  
(aluminium profiles)

